



GOVERNMENT OF PAKISTAN
(CABINET DIVISION)
INTELLECTUAL PROPERTY ORGANIZATION
THE PATENT OFFICE
KARACHI



Dated: 24-05-2016

Mr. Ghulam Mujtaba
Assistant Director (Patents),
IPO-Pakistan,
Islamabad.

**Subject: WEEKLY NOTIFICATION ON PATENTS AND INDUSTRIAL DESIGNS
FOR THE WEEK-ENDING 13-05-2016.**

Sir,

Reference is invited to IPO's letter dated 12-5-2008 forwarding therewith a copy of letter No. 18/IPO/2008/ RA-IV dated 23-4-2008 from Cabinet Division on the above subject.

A manuscript copies of the weekly notification regarding application filed applications accepted and sealing fee due is enclosed herewith for onward transmission to the Cabinet Division for Publication in the next issue of the Gazette of Pakistan (Part –V)

(Dr. Muhammad Fayyaz Ahmad)
Controller of Patents
& Registrar of Designs
Ph: 99215488

ENCL: 06 Pages.

NEW APPLICATIONS FOR THE PATENTS

The dates shown in the crescent brackets are the dates claimed under section 86 of the Patents Ordinance 2000.

09-05-2016		
261/2016	M. M. ENGINEERING, Karachi - Pakistan.	“Development side stand of a motor bike”
262/2016	F. Hoffmann-LA Roche AG Switzerland (Priority 11-05-2015 EP)	“New Difluoroketamide derivatives”
263/2016	LEE, Sang Geun Korea (Priority 12-05-2015 KR)	“Cloth having gas Sheet
264/2016	Kikuo YAMADA Japan (Priority 12-05-2015 JP)	“Base fabric for disposable textile product and disposable textile product using same”
11-05-2016		
265/2016	Huntsman Advanced Materials (Switzerland) GmbH, Switzerland (Priority 12-05-2015 EP)	“Mixtures of reactive dyes and their use for the dyeing or printing of textile fibre materials”
266/2016	H. LUNDBECK A/S Denmark (Priority 13-05-2015 DK)	“Vortioxetine pyroglutamate”

267/2016	SUNG, BO YOUN Korea (Priority 11-05-2015 KR)	“A container Cap with function of Anti-missing and Anti-idle stopper”
268/2016	Sonia Bibi Azam Rafique Memon MUET Jamshoro – Pakistan.	“Quick information disseminating smart notice board display”
269/2016	Axovant Sciences Limited Bermuda (Priority 07-05-2015 US)	“Method of treating a neurodegenerative disease”
270/2016	Axovant Sciences Limited Bermuda (Priority 07-05-2015 US)	“Composition and Methods of treating a neurodegenerative disease”
12-05-2016		
271/2016	Bayer Pharma Aktiengesellschaft Germany (Priority 04-06-2015 EP)	”New Gadolinium chelate compounds for use in magnetic resonance imaging”
13-05-2016		
272/2016	UCB Biopharma SPRL Belgium (Priority 13-05-2015 GB)	“Anti-FcRn Antibodies”

273/2016	Galaxy Pharma (Pvt) Limited, Karachi	“Pharmaceutical or nutraceutical composition for the supplementation or treatment or prevention of vaginal infections and management of recurrences of vaginal infections”
274/2016	Galaxy Pharma (Pvt) Limited, Karachi	“Pharmaceutical or nutraceutical composition for the supplementation or treatment or prevention of premature ovarian aging”

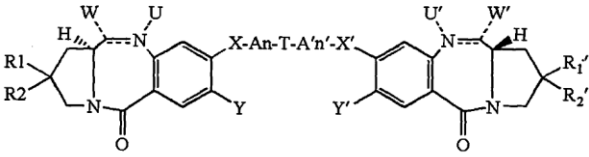
APPLICATION ACCEPTED

Notice is hereby given that the person interested in opposing the grant of Patents to any of the applications referred to below at any time within four months from the date of this Gazette may give notice at the Patent Office on the prescribed Form P-7 of the Patents Rules 18(1) of 2003.

The six figures number shown in the right hand side are those given to applications on acceptance of the complete specification under which the specification will be printed and subsequent proceeding taken.

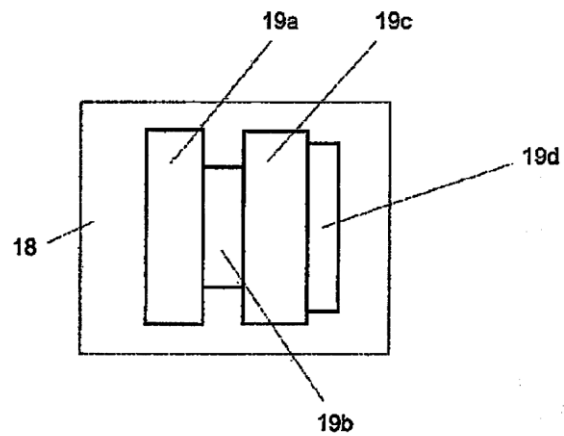
The figures shown within square brackets after the title of inventions indicate their classification index at acceptance.

Typed copies of the specification which are to open to public inspection can be supplied by the Patent Office on payment of the prescribed charges which may be ascertained on application to the office.

70/2007	SANOFI-AVENTIS. France.	<p>"Novel tomaymycin compound having a cytotoxic activity"</p> <p>C07D487/04.</p> <p style="text-align: right;">142367</p> <p>The invention is related to new tomaymycin compound of formula (I),</p> <p style="text-align: right;">(I)</p> <div style="text-align: center;"></div> <p>having a cytotoxic activity.</p>
916/2009	SICPA HOLDING SA. Switzerland.	<p>"METHOD FOR IDENTIFYING AN ITEM FROM A DIGITAL IMAGE"</p> <p>G06K9/46 and G06K9/64.</p>

142368

The present invention relates to the technical field of control system for automated production lines. More particularly, the disclosed method and the corresponding system for identifying an item on a production line according to the invention relies on color histograms established from a digital image of the item, which are compared, on a bin per bin basis, with minimum and maximum numbers of pixels per pin allowed for identification with a reference item.



NEW APPLICATIONS FOR THE INDUSTRIAL DESIGNS

S. No.	Design No.	Title & Class	Applicant
<u>09/05 /2016</u>			
1	18242	Wonden Container (Class-Nil)	Henglee Community Business Co. Ltd.
2	18243	Bottle (Class-01)	Evan & Mayer International
3	18244	Internal Combustion Engine (Class-01)	Sazgar Engineering Works Limited
<u>11/05 /2016</u>			
4	18245	Fan (Class-03)	Mr. Amjad Khan
<u>13/05 /2016</u>			
5	18246	Water Pump (Class-01)	M/s. Al-Furqan Traders



(Dr. Muhammad Fayyaz Ahmad)
Controller of Patents
& Registrar of Designs
Ph: 99215488