



Electronic Publication of Patents Journal under The Patents (Amendments) Act, 2016

Weekending:- 29-07-2016

Legal Publication Date:- 09-08-2016

Journal Code (160809)

NEW APPLICATIONS FOR THE PATENTS

The dates shown in the crescent brackets are the dates claimed under section 86 of the Patents Ordinance 2000.

25-07-2016		
449/2016	Bayer CropScience NV, Belgium (Priority 07-08-2015 EP)	“USE OF ANNEXIN TO IMPROVE YIELD UNDER STRESS CONDITIONS IN PLANTS”
450/2016	BAYER CROPSCIENCE AKTIENGESELLCHAFT Germany (Priority 07-08-2015 EP)	“2-(HET)ARYL-SUBSTITUTED FUSED BICYCLIC HETEROCYCLE DERIVATIVES AS PESTICIDES”
26-07-2016		
451/2016	INNOVENT BIOLOGICS, INC China (Priority 10-08-2015 China)	“PD-1 Antibodies”
452/2016	Regeneron Pharmaceuticals, Inc. USA (Priority 07-08-2015 USA)	“ANTI-ANGPTL8 ANTIBODIES AND USES THEREOF”
453/2016	ELI LILLY AND COMPANY USA (Priority 12-08-2015 US)	“CGRP RECEPTOR ANTAGONISTS”

454/2016	ELI LILLY AND COMPANY USA (Priority 12-08-2015 US)	“CGRP RECEPTOR ANTAGONISTS”
27-07-2016		
455/2016	RENCO KOMPOZIT TEKNOLOJILERI SANAYI VE TICARET LIMITED SIRKETI TURKEY (Priority 21-04-2011 Turkey) Divisional	“A MODULAR STRUCTURE AND SAID MODULAR STRUCTURE'S STRUCTURAL MEMBER MADE OF COMPOSITE MATERIAL”
28-07-2016		
456/2016	HALLIBURTON ENERGY SERVICES, INC USA ENI S.p.A Italy (Priority 29-07-2015 Italy)	“Continuous Circulation Sub Connection System”
457/2016	PFIZER INC. USA (Priority 31-07-2015 USA)	“1,1,1-TRIFLUORO-3-HYDROXYPROPAN-2- YL CARBAMATE DERIVATIVES AND 1,1,1- TRIFLUORO-4-HYDROXYBUTAN-2-YL CARBAMATE DERIVATIVES AS MAGL INHIBITORS”
458/2016	Eisai R&D Management Co., Ltd. Japan (Priority 07/10/2011 USA)	“PHARMACOLOGICALLY ACCEPTABLE SALT OF PYRAZOLOQUINOLINE COMPOUND”

	Divisional	
459/2016	Regeneron Pharmaceuticals, Inc. USA (Priority 31-07-2015 USA)	“ANTI-PSMA ANTIBODIES, BISPECIFIC ANTIGEN-BINDING MOLECULES THAT BIND PSMA AND CD3, AND USES THEREOF”
29-07-2016		
460/2016	Eisai R&D Management Co., Ltd Japan (Priority 13-09-2011 Japan) Divisional	“PHARMACEUTICALLY ACCEPTABLE SALT OF PYRROLIDIN-3-YLACETIC ACID COMPOUND”
461/2046	MASCHINENFABRIK RIETER AG Switzerland (Priority 31-07-2015 Germany)	“COMPACTING UNIT FOR A DRAFTING UNIT OF A TEXTILE MACHINE”
462/2016	PONTIFICIA UNIVERSIDAD CATOLICA DE CHILE Chile (Priority 31-07-2015 Chile)	“USE OF MOLECULAR MARKERS IL-3, IL-33 AND IL-12p40 FOR CHARACTERIZE THE SEVERITY OF RESPIRATORY INFECTIONS BY SYNCYTIAL RESPIRATORY VIRUS AND HUMAN METAPNEUMOVIRUS”
463/2016	PONTIFICIA UNIVERSIDAD CATOLICA DE CHILE Chile (Priority 31-07-2015 Chile)	“MONOCLONAL ANTIBODIES SPECIFICALLY FOR THE ANTIGEN P OF THE HUMAN RESPIRATORY SYNCYTIAL VIRUS, PRODUCED AND SECRETED BY THE CELLS HYBRIDOMAS, USEFUL FOR DETECTION AND DIAGNOSTIC OF THE INFECTION CAUSED BY RSV”

APPLICATION ACCEPTED

Notice is hereby given that the person interested in opposing the grant of Patents to any of the applications referred to below at any time within four months from the date of this Gazette may give notice at the Patent Office on the prescribed Form P-7 of the Patents Rules 18(1) of 2003.

The six figures number shown in the right hand side are those given to applications on acceptance of the complete specification under which the specification will be printed and subsequent proceeding taken.

The figures shown within square brackets after the title of inventions indicate their classification index at acceptance.

Typed copies of the specification which are to open to public inspection can be supplied by the Patent Office on payment of the prescribed charges which may be ascertained on application to the office.

1132/2009	HONDA MOTOR CO., LTD. Japan.	<p>"CYLINDER HEAD COOLING STRUCTURE FOR INTERNAL COMBUSTION ENGINES"</p> <p>F02F1/28, F02F1/24, F02B67/06, F01P1/02 and F01M1/06.</p> <p style="text-align: right;">142400</p> <p>This invention relates to a cylinder head cooling structure for an air cooled internal combustion engine. The said cooling structure enhances the cooling effect on a cylinder head and oil flowing on a bottom wall by enlarging a cooling port while maintaining an oil return function.</p> <p>In a cylinder head cooling structure of the present invention, the combustion chamber is provided in a lower portion of the cylinder head and a valve train chamber isolated from the combustion chamber by a bottom wall provided in an upper portion of the cylinder head, a cam chain chamber is provided in a lateral portion of the cylinder head, an oil return passage is provided on the bottom wall and exhaust port is provided between the combustion chamber and the valve train chamber and in front portion of the cylinder head,</p>
-----------	---------------------------------	--

characterized in that a cooling air introduction port is provided between the exhaust port and the bottom wall is slanted toward the cam chain chamber in a left-right direction of the vehicle.

647/2013

Dr. Suhail Zaki Farooqui.
Pakistan.

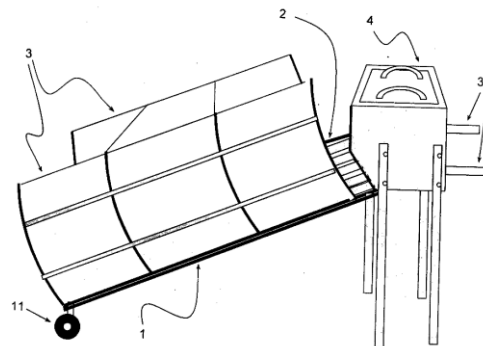
" A Compound Parabolic Solar Cooker with Five Vacuum Tubes "

F24J2/02.

142401

A new type of solar cooker based upon the use of a solar collector consisting of five vacuum tubes and a compound parabolic reflector has been disclosed. The south facing collector is tilted at an angle with the horizontal direction equal to the latitude angle of the point of usage. and is connected to a double walled cooking chamber at the top. The cooking chamber is well insulated from all sides to reduce thermal losses. The vacuum tubes and a part of the cooking chamber are filled with a high boiling point thermal fluid, such as vegetable oil. As the oil gets heated inside the vacuum tubes due to solar radiation energy. it rises to the cooking chamber, from where the cold oil enters the vacuum tubes, thus triggering cycle of natural thermal siphoning. The pair of compound

parabolic reflectors connected to the cooker collector, not only doubles the solar radiation intensity, but also keeps it focused onto the vacuum tubes for up to four hours without requiring the directional tracking of the sun. This solar cooker attains temperatures of up to 200°C, making it suitable for cooking all types of food including frying and water based cooking. Further, it continues the cooking process substantially after the sunset. It can therefore easily cook two meals a day. Another great advantage of this cooker is that it can be operated from inside a shade, as the cooking part and the heat collection part are separated from each other.



SEALING FEES DUE-

Notice is hereby given that the Patent may now be sealed on the application referred to below if it is desired that Patent should be sealed a request on the prescribed Form-10 accompanied by the fee of **Rs.4500/-** should be sent to the Controller of Patents and Designs, The Patent Office, Karachi.

Accepted No.	Applicant Name	Application No.
142250	Bristol-Mayer Squibb Company USA.	199/2005
142251	ALSTOM Renewable Technologies France.	287/2008
142252	Tetra Holding & Finance SA Switzerland.	710/2010
142253	Chiesi Farmaceutici S.p.A Italy.	777/2010
142554	Dr. Suhail Zaki Farooqui Pakistan.	589/2011
142255	Proteus Digital Health, Inc USA.	457/2012
142256	Deepak Pranjivandas Shah India.	159/2013
142257	Bristol-Myers Squibb Company USA.	643/2014

NEW APPLICATIONS FOR THE INDUSTRIAL DESIGNS

S. No.	Design No.	Title & Class	Applicant
<u>25/07 /2016</u>			
1.	18332	Plastic Oil Bottle (Class-03)	Seasons Edible Oil Limited
<u>26/07 /2016</u>			
2.	18333	Film For Decoration Purpose (Class-05)	LG Hausys, Limited
3.	18334	Auto Rickshaw (Class-01)	New Asia Automobile (Pvt) Ltd.
<u>27/07 /2016</u>			
4.	18335	Back Light (Class-03)	Sazgar Engineering Works Limited
5.	18336	(Nil) (Class-03)	Griffon Plastic Industries
<u>28/07 /2016</u>			
6.	18337	Cutlery Stand (Class-01)	M/s. Dolphin Industries
7.	18338	Cutlery Set 6 Piece (Class-01)	Dolphin Industries
8.	18339	Front Combination Lamp For An Automobile (Class-Nil)	Toyota Jidosha Kabushiki Kaisha
9.	18340	Front Bumper For An Automobile (Class-Nil)	Toyota Jidosha Kabushiki Kaisha

REGISTRATION OF DESIGNS

The following designs have been registered.

S. No.	Design No.	Title & Class	Applicant
<u>28/07 /2016</u>			
1.	17847	Biscuits (Class-12)	English Biscuit Manufacturers (Pvt.) Limited



(Dr. Muhammad Fayyaz Ahmad)
Controller of Patents
& Registrar of Designs
Ph: 99215488