



Electronic Publication of Patents Journal under The Patents (Amendments) Act, 2016

Weekending:- 16-06-2017

Legal Publication Date:- 12-07-2017

Journal Code (170712)

NEW APPLICATIONS FOR THE PATENTS

The dates shown in the crescent brackets are the dates claimed under section 86 of the Patents Ordinance 2000.

12-06-2017		
339/2017	Gilead Sciences, Inc. USA (Priority 13-06-2016 US)	"FXR (NR1H4) MODULATING COMPOUNDS"
340/2017	Tillotts Pharma AG. Switzerland (Priority 14-06-2016 EU)	"Multiple Unit Dosage Form Comprising a Core with Individual Core Units covered by a Mucoadhesive Material, and an Enteric Core Coating"
341/2017	MERCK SHARP & DOHME CORP. USA (Priority 14-06-2016 US)	"ANTI-COAGULATION FACTOR XI ANTIBODIES"
13-06-2017		
342/2017	Novartis AG Switzerland (Priority 14-06-2016 CN)	"CRYSTALLINE ISOXAZOLE HYDROXAMIC ACID COMPOUNDS"
15-06-2017		
343/2017	CASALE SA, Switzerland (Priority 17-06-2016 EP)	"PROCESS FOR AMMONIA PRODUCTION"
344/2017	FarmHannong Co., Ltd. Korea (Priority 16-06-2016 KR)	"Protoporphyrinogen Oxidase Variants and Methods and Compositions for Conferring and/or Enhancing Herbicide Tolerance Using the same"

345/2017	FarmHannong Co., Ltd. Korea (Priority 16-06-2016 KR)	"Methods and Compositions for Conferring and/or Enhancing Herbicides Tolerance Using Protoporphyrinogen Oxidase or Variant thereof"
346/2017	Prof. Maaz Ahmad Lahore – Pakistan	"Microprevention Tech.
16-06-2017		
347/2017	QUALCOMM INCORPORATED USA (Priority 24-06-2016 US)	"SENSOR DATA ACQUISITION A USER EQUIPMENT"

APPLICATION ACCEPTED

Notice is hereby given that the person interested in opposing the grant of Patents to any of the applications referred to below at any time within four months from the date of this Patents' journal may give notice at the Patent Office on the prescribed Form P-7 of the Patents Rules 18(1) of 2003.

The six figures number shown in the right hand side are those given to applications on acceptance of the complete specification under which the specification will be printed and subsequent proceeding taken.

The figures shown within square brackets after the title of inventions indicate their classification index at acceptance.

Typed copies of the specification which are to open to public inspection can be supplied by the Patent Office on payment of the prescribed charges which may be ascertained on application to the office.

171/2010	METHANOL CASALE S.A., Switzerland.	<p>"A process for synthesis of methanol"</p> <p>C07C29/151.</p> <p style="text-align: right;">142533</p> <p>A process for synthesis of methanol, where make-up syngas is reacted in a synthesis loop (10) obtaining crude methanol, and where a purge gas (20) taken from said synthesis loop is heated to 200 - 500 °C by indirect heat exchange with a high-temperature heat source, the heated purge gas (33) being expanded in a gas expander (34) to recover energy.</p>
----------	--	--

654/2012

Buhler AG.
Switzerland.

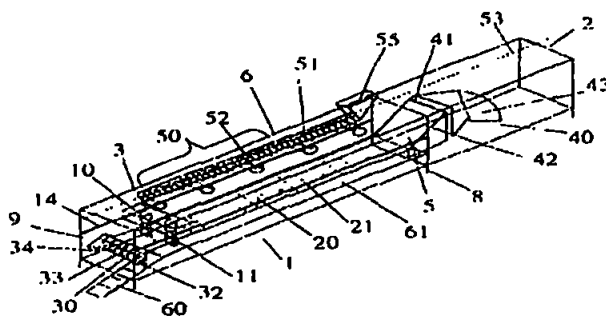
"APPARATUS AND METHOD FOR GRAIN STEEPING, GERMINATING, KILN DRYING AND FERMENTING, AND/OR COMBINATION THEREOF"

C12C1/02, C12C1/027 and C12C1/073.

142534

The invention relates to a method and to an apparatus for grain steeping, germinating, kiln drying and fermenting, wherein the apparatus comprises a container (3) having at least one plate (20) which can be fitted in the container and has at least one opening (21), for the supply and/or removal of fluid.

The container (3) also has at least one base surface (4), wherein side surfaces (5) which are arranged substantially vertically on the base surface (4) and end surfaces (9) which are arranged substantially vertically on the base surface (4) are present. A top surface (6) which in particular is arranged substantially horizontally on at least one side surface (5) and/or end surface (9), thereby forming a process chamber, is also present. The interior dimension of a side length of the end surface (9) is 2 to 2.5 meters, in particular 2.345 meters.



SEALING FEES DUE-

Notice is hereby given that the Patent may now be sealed on the application referred to below if it is desired that Patent should be sealed a request on the prescribed Form-10 accompanied by the fee of **Rs.4500/-** should be sent to the Controller of Patents and Designs, The Patent Office, Karachi.

Accepted No.	Applicant Name	Application No.
142484	GlaxoSmithKline Intellectual Property Development Limited United Kingdom.	236/2015

NEW APPLICATIONS FOR THE INDUSTRIAL DESIGNS

S. No.	Design No.	Title & Class	Applicant
<u>12/06/2017</u>			
1.	18803	Plastic Can (Class-03)	M/s. Pakistan Grease & Oil Company
2.	18804	Plastic Can (Class-03)	M/s. GMSA Industries (Pvt.) Ltd.,
<u>15/06/2017</u>			
3.	18805	BOTTLE (Class-03)	Khalid Ahmad Khan s/o. Muhammad Ahmad Khan

REGISTRATION OF DESIGNS

The following designs have been registered.

S. No.	Design No.	Title & Class	Applicant
<u>16/06/2017</u>			
1.	18072	Plastic Can (Class-03)	ZTC Lubricant Traders



(Dr. Muhammad Fayyaz Ahmad)
Controller of Patents
& Registrar of Designs
Ph: 99230591