



# **Electronic Publication of Patents Journal under The Patents (Amendments) Act, 2016**

Weekending:- 28-07-2017

Legal Publication Date:- 03-08-2017

Journal Code (170803)

**NEW APPLICATIONS FOR THE PATENTS**

The dates shown in the crescent brackets are the dates claimed under section 86 of the Patents Ordinance 2000.

<b>24-07-2017</b>		
406/2017	Monsanto Technology LLC USA (Priority 29-07-2016 US)	"METHODS AND COMPOSITIONS FOR GENE EXPRESSION IN PLANTS"
407/2017	MOHAMMAD EJAZ AHMED Sialkot – Pakistan	"SPORTS BALL WITH INCREASED FLEXURE"
408/2017	COMSATS Institute of Information Technology (CIIT) Lahore – Pakistan	"Colorimetric filter paper assay for rapid monitoring of cholesterol level"
409/2017	AstraZeneca AB Sweden (Priority 25-07-2016 US)	"CHEMICAL COMPOUNDS"
<b>25-07-2017</b>		
410/2015	<b>PFIZER INC.,</b> <b>USA</b> (Priority 10-04-2014 US) <b>Divisional</b>	"Pharmaceutically acceptable salt of 2-AMINO-6-METHYL-4,4a,5,6-TETRAHYDROPYRANO[3,4-d][1,3]THIAZIN-8a(8H)-YL-1,3-THIAZOL-4-YL AMIDE compound"
411/2015	Permanent Privacy Limited Island (Priority 29-07-2016 VG)	"APPLICATIONS IN CONNECTION WITH SECURE ENCRYPTION"

412/2017	INTREXON CORPORATION USA (Priority 25-07-2016 US)	"CONTROL OF PHENOTYPE IN PLANTS"
<b>26-07-2017</b>		
413/2017	Trützschler GmbH & Co. KG, Germany (Priority 08-08-2016 DE)	"Sawtooth wire"
<b>27-07-2017</b>		
414/2017	OCP SA Morocco (Priority 27-07-2016 FR)	"PROCESS FOR PRODUCING SODIUM SULPHATE FROM PHOSPHOGYPSUM"
415/2017	Goran Reli USA (Priority 23-08-2016 USA)	"DISPOSABLE HAND OPERATED CARTRIDGE BODY PIERCING INSTRUMENT"
<b>28-07-2017</b>		

416/2017	<b>9754741 Canada Ltd.</b> <b>Canada</b> (Priority 29-07-2016 USA)	“METHOD AND APPARATUS FOR SINGULATING PARTICLES IN A STREAM”
417/2017	SAAD NAWAZ KHADIJA QURESHI SIDRA NAWAZ Pakistan	“Design of Embedded Impeller for Agitator and Agitated reactor”
418/2017	IL-YANG PHARM. CO., LTD. Korea (Priority 01-08-2016 KR)	“PHARMACEUTICAL COMPOSITION FOR PREVENTION OR TREATMENT OF NEURODEGENERATIVE DISEASES”

**APPLICATION ACCEPTED**

Notice is hereby given that the person interested in opposing the grant of Patents to any of the applications referred to below at any time within four months from the date of this Patents' journal may give notice at the Patent Office on the prescribed Form P-7 of the Patents Rules 18(1) of 2003.

The six figures number shown in the right hand side are those given to applications on acceptance of the complete specification under which the specification will be printed and subsequent proceeding taken.

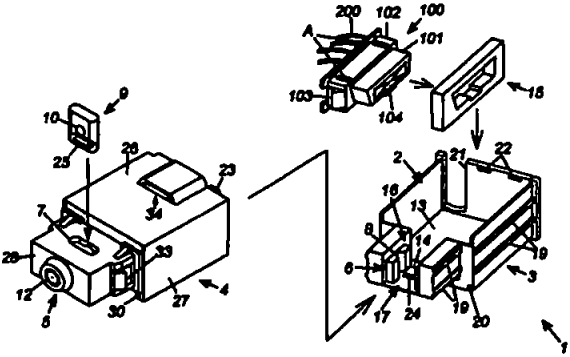
The figures shown within square brackets after the title of inventions indicate their classification index at acceptance.

Typed copies of the specification which are to open to public inspection can be supplied by the Patent Office on payment of the prescribed charges which may be ascertained on application to the office.

1364/2008	IFP Energies nouvelles France.	<p>"NOVEL REACTOR FOR CARRYING OUT VERY HIGH TEMPERATURE AND HIGH PRESSURE REACTIONS"</p> <p>B01J3/04, B01J19/02, F23M5/00, B01J3/04 &amp; B01J19/02.</p> <p style="text-align: right;"><b>142546</b></p> <p>The present invention describes a novel reactor adapted for carrying out chemical reactions at temperatures of up to 1600°C, and at pressures of up to 100 bars. The reactor of the invention has two vessels surrounding the reaction zone, an inner vessel constituted by a refractory material and an outer vessel surrounding the inner vessel and constituted by an insulating material.</p>
-----------	-----------------------------------	--

<p>1490/2008</p>	<p>CECA S.A., France.</p>	<p>"LOW SILICA X TYPE ZEOLITE HAVING A CONTROLLED PARTICLE SIZE DISTRIBUTION"</p> <p>C01B39/22 &amp; B01J19/20.</p> <p style="text-align: right;"><b>142547</b></p> <p>The invention relates to a zeolite of the faujasite X type having a low silica content, more precisely a zeolite low silica X having a Si/Al atomic ratio lower than or equal to 1.15, having a high crystallinity rate and whereof the crystals have a controlled, particle size distribution. The present invention also relates to the method for preparing said zeolite LSX.</p>
<p>667/ 2014</p>	<p>Co., Ltd. Ashikawa Japan</p>	<p>" OBD (ON-BOARD DIAGNOSTICS) CONNECTOR PROTECTIVE COVER"</p> <p>H01R13/447 &amp; H01R13/60.</p> <p style="text-align: right;"><b>142548</b></p> <p>The present invention provides an OBD (on-board diagnostics) connector with an enhanced abuse prevention effect for the OBD (on-board diagnostics) connector and further provides a compact OBD (on-board diagnostics) connector protective cover also applicable to an OBD (on-board diagnostics) connector installed in a narrow space.</p> <p>An OBD (on-board diagnostics) connector protective cover 1 is provided with an opening 2, a body case 3 that can accommodate an entire OBD (on-board diagnostics) connector 100 from</p>

the opening 2, a slide cover 4 that is slidably attached to the body case 3 and opens/closes the opening 2 by sliding thereof, and a lock mechanism 6 that has a key cylinder 5 provided on a forefront of the slide cover 4 in a visually observable manner and locks the slide cover 4 by an operation of the key cylinder 5.



**SEALING FEES DUE-**

Notice is hereby given that the Patent may now be sealed on the application referred to below if it is desired that Patent should be sealed a request on the prescribed Form-10 accompanied by the fee of **Rs.4500/-** should be sent to the Controller of Patents and Designs, The Patent Office, Karachi.

<b>Accepted No.</b>	<b>Applicant Name</b>	<b>Application No.</b>
142485	SOOA Corporation Republic of Korea	291/2016
142486	AMMONIA CASALE S.A., Switzerland	942/2008
142487	ESCO Corporation USA	910/2010
142488	INSTITUTO NACIONAL DE TECNOLOGIA AGROPECUARIA Argentina	834/2013



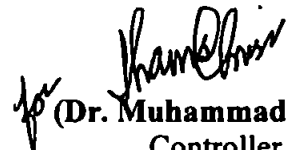
**NEW APPLICATIONS FOR THE INDUSTRIAL DESIGNS**

<b>S. No.</b>	<b>Design No.</b>	<b>Title &amp; Class</b>	<b>Applicant</b>
<b><u>24/07/2017</u></b>			
1.	18843	Set of Dinner Set (Class-03)	Grace Plastic Industry
2.	18844	SWAN STYLE CUTICLE NIPPER (Beauty Instrument) (Class-12)	LUCKY ONE INDUSTRIES
<b><u>27/07/2017</u></b>			
3.	18845	Display panel or portion thereof with a graphical user interface (Class-01)	SOLIDUS VENTURES GMBH

**REGISTRATION OF DESIGNS**

The following designs have been registered.

S. No.	Design No.	Title & Class	Applicant
<b><u>24/07/2017</u></b>			
1.	17998	Plastic Bottle (1 Liter Bottle) (Class-03)	M/s. Asia Ghee Mills (Pvt) Ltd.
2.	17999	Plastic Bottle (3 Liter Bottle) (Class-03)	M/s. Asia Ghee Mills (Pvt) Ltd.
3.	18138	Toy (Class-03)	Yildiz Holding Anonim Sirketi
4.	18139	Toy (Class-03)	Yildiz Holding Anonim Sirketi
5.	18140	Toy (Class-03)	Yildiz Holding Anonim Sirketi
6.	18141	Toy (Class-03)	Yildiz Holding Anonim Sirketi

  
 (Dr. Muhammad Fayyaz Ahmad)  
 Controller of Patents  
 & Registrar of Designs  
 Ph: 99230591