



# **Electronic Publication of Patents Journal under The Patents (Amendments) Act, 2016**

**Weekending:- 12-01-2018**

**Legal Publication Date:- 24-01-2018**

**Journal Code (180124)**

**NEW APPLICATIONS FOR THE PATENTS**

The dates shown in the crescent brackets are the dates claimed under section 86 of the Patents Ordinance 2000.

08-01-2018		
13/2018		<b>DUMMY</b>
09-01-2018		
14/2018	Saraswati Research and Development Institute Ltd, Singapore (Priority 10-01-2017 GB)	"COMPOUNDS AND COMPOSITIONS"
10-01-2018		
15/2018	Mr. Waqar Aftab Mr. Taimur Aftab Mr. Ozair Aftab Mr. Aazir Aftab Rawalpindi - Pakistan	"HIGH VELOCITY CHANNEL FOR HYDRO POWER"
16/2018	PLEXXIKON, INC., USA (Priority 22-11-2006 US) <b>Divisional</b>	"Pharmaceutically acceptable salts of Pyrrolo[2,3-b]pyridine Compound for Modulating C-fms and/or C-kit Activity"
17/2018	Muhammad Awais Agha Hassan Feroze Pakistan	"FERIAN, Wifi activated switch using R-Pi Z W, Home server and Embedded Relay System"
18/2018	ELI LILLY AND COMPANY USA	"5-METHYL-1,2,4-OXADIAZOL-3-COMPOUNDS"

	(Priority 27-01-2017 US)	
<b>11-01-2018</b>		
19/2018	YOL-BAK YOL BAKIM VE KAR MUCADELE ARACLARI SANAYI TICARET LIMITED SIRKETI (Priority 04-04-2017 TR)	"NEW AGE GROUND VEHICLE DESIGNED FOR SECURITY FORCES"
20/2018	Monsanto Technology LLC USA (Priority 12-01-2017 US)	"NOVEL PESTICIDAL TOXIN PROTEINS"
21/2018	M. Aslam Baig Nasar Ahmed Rizwan Ahmed Zeshan Adeel Umar Islamabad – Pakistan	"Fabrication of a Linear Laser-Ablation Time of Flight Mass Spectrometer for Compositional Analysis of Solid Materials"
22/2018	Afzaal Mustafa Islamabad – Pakistan	"SHOE SOCKS COUPLER"
<b>12-01-2018</b>		
23/2018	Pivot Bio, Inc., USA (Priority 12-01-2017 US)	"METHODS AND COMPOSITIONS FOR IMPROVING PLANT TRANTS"
24/2018	Aga Khan University Karachi – Pakistan	"Anatomical-Imaging Communication Device"
25/2018	Amir Wali Khan Islamabad	"Energy Saving Tandoori Water Heater"
26/2018	MAHAM SAEED MIRZA Lahore – Pakistan	"MAHSCOPE"

**APPLICATION ACCEPTED**

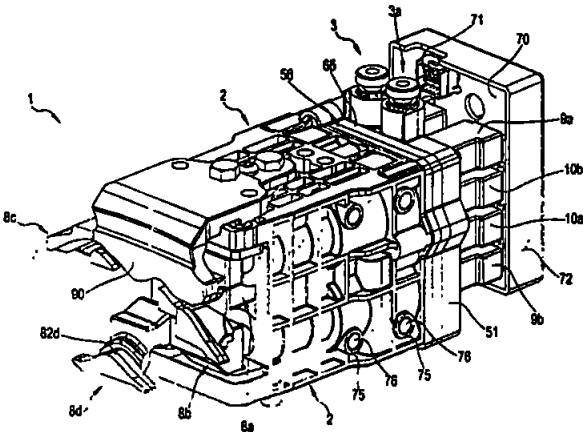
Notice is hereby given that the person interested in opposing the grant of Patents to any of the applications referred to below at any time within four months from the date of this Patents' journal may give notice at the Patent Office on the prescribed Form P-7 of the Patents Rules 18(1) of 2003.

The six figures number shown in the right hand side are those given to applications on acceptance of the complete specification under which the specification will be printed and subsequent proceeding taken.

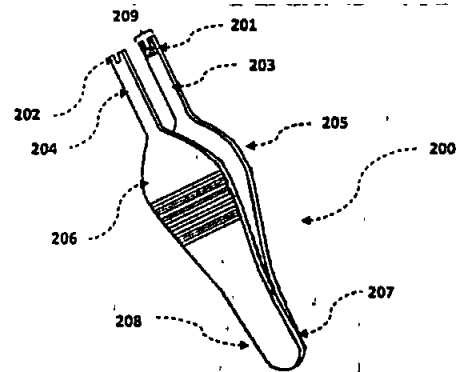
The figures shown within square brackets after the title of inventions indicate their classification index at acceptance.

Typed copies of the specification which are to open to public inspection can be supplied by the Patent Office on payment of the prescribed charges which may be ascertained on application to the office.

211/2012	Novartis AG. Switzerland.	<p>"A SOLID PHARMACEUTICAL COMPOSITION COMPRISING 2-AMINO-2-[2-(4 OCTYLPHENYL) ETHYL] PROPANE-1,3-DIOL"</p> <p>A61K9/16,A61K31/137 &amp; A61P37/06.</p> <p style="text-align: right;"><b>142659</b></p> <p>A solid pharmaceutical composition suitable for oral administration, comprising:                  (a) a S1P receptor modulator selected from 2-amino-2-[2-(4 octylphenyl)ethyl] propane- 1 ,3-diol hydrochloride salt,                  (b) a filler, and                  (c) a cyclodextrin.</p>
379/2014	SANTONI S.P.A. ITALY.	<p>"Mobile Cam Device for Commanding Needles of a Needle Bed of a Knitting Machine"</p> <p>D04B15/68, D04B15/82 &amp; D04B15/32.</p> <p style="text-align: right;"><b>142660</b></p> <p>A mobile cam device (1) for commanding needles of a needle bed of a knitting machine, the device</p>

		<p>(1) comprising: at least a body (2) having at least an air inlet (3) destined to be connected to a source of compressed air, at least a first housing seating (4a) for movably housing at least a first actuator (5a) in the body (2), and having at least a first air pathway (6a) defined internally of the body (2) and connecting the at least an air inlet (3) with the first seating (4a) for moving the actuator by means of the compressed air; the device further comprises at least a first command cam (8a) movably mounted and associated to the body (2) and destined to interact with at least a needle of a needle bed of a knitting machine, and at least a first actuator (5a), movably housed at least partially in the first housing seating (4a) in the body (2) and destined to move in a controlled way the first command cam (8a). The device further comprises at least a first solenoid valve (9a) mounted and connected directly to the body (2) of the device and active directly at least on the first air pathway (6a), the first solenoid valve being configured and predisposed to selectively enable or prevent passage of air in the first air pathway (6a) such as to selectively activate the first actuator.</p> 
<p>334/2016</p>	<p>Mr.Muhammad Farooq. Pakistan.</p>	<p>"CARTILAGE HOLDING FORCEPS" A61F11/00.</p> <p style="text-align: right;"><b>142661</b></p>

This invention is an advanced tissue gripping forceps with novel design of jaws best suitable for medical surgery. The novel tissue holding forceps has first and second arms with two ends each i.e Head and rear end; and jaws at the heads of each arms of the forceps. The rear ends of two arms of the forceps are coupled together. The second ends, the head of the First and the Second arms of the forceps form opposing First and second jaws which are resiliently biased apart. The First and second jaws each include a plurality of sharp, directly opposing sharp elongated teeth to grip the tissue firmly during the use. The both jaws has a deep "CUT" in the center which makes jaw as "U" shaped cut. There is a deep groove in center of the rows of the teeth at the jaw from the close end of the u- shaped jaw's tips towards the rear ends of the each respective arm. This novel design enable fast and easy surgical operations by reducing the time of operation by facilitating the stitching and other surgical operations.



**SEALING FEES DUE-**

Notice is hereby given that the Patent may now be sealed on the application referred to below if it is desired that Patent should be sealed a request on the prescribed Form-10 accompanied by the fee of **Rs.4500/-** should be sent to the Controller of Patents and Designs, The Patent Office, Karachi.

<b>Accepted No.</b>	<b>Applicant Name</b>	<b>Application No.</b>
142549	GOLDEN QUIMICA DO BRASIL LTDA. Brazil JOSE VALLDEPERAS-MORREL Spain MANUEL JOSE LIS-ARIAS Spain JUAN ANJTONIO NAVARRO-VICIANA Spain.	751/2009
142550	Ali Hasnain Hussain Pakistan	820/2014
142551	CHIESI FARMACEUTICI S.p.A., Italy.	848/2014
142552	F. HOFFMANN-LA ROCHE AG Switzerland	728/2015

**NEW APPLICATIONS FOR THE INDUSTRIAL DESIGNS**


<b>S. No.</b>	<b>Design No.</b>	<b>Title &amp; Class</b>	<b>Applicant</b>
<b><u>12/01/2018</u></b>			
<b>1.</b>	19089	IOT Connected Ovitrap with Real Time Mosquito Count (Class-03)	Salman Atif Muhammad Ali Tahir
<b>2.</b>	19090	1 DoF (Degree of Freedom) upper limb Prosthetic gripper (Class-03)	Muhammad Saad bin Ubaid
<b>3.</b>	19091	6 DoF (Degree of Freedom) upper limb Prosthetic gripper (Class-03)	Mustafa Arsal Shahid,
<b>4.</b>	19092	Tweezer with Comb (Class-01)	M/s Zona Industries
<b>5.</b>	19093	Eyebrow Divider (Class-01)	M/s Zona Industries
<b>6.</b>	19094	Tweezers (Class-01)	M/s Zona Industries



**REGISTRATION OF DESIGNS**

The following designs have been registered.

S. No.	Design No.	Title & Class	Applicant
<b><u>09/01/2018</u></b>			
1.	18772	Threaded Female Tee (Class-03)	Aqua Plast
2.	18773	Female Socket (Class-03)	Aqua Plast
3.	18774	Threaded Female Elbow (Class-03)	Aqua Plast
<b><u>12/01/2018</u></b>			
4.	18498	Plastic Bottle (Class-03)	Shah Brothers
5.	18755	Water Cooler (Class-03)	Asif Zubair & Company
6.	18907	Sharpener (Class-03)	National Cottage Industries
7.	18908	Sharpener (Class-03)	National Cottage Industries
8.	18909	Sharpener (Class-03)	National Cottage Industries
9.	18910	Sharpener (Class-03)	National Cottage Industries
10.	18911	Sharpener (Class-03)	National Cottage Industries
11.	18912	Sharpener (Class-03)	National Cottage Industries

  
**(Dr. Muhammad Fayyaz Ahmad)**  
 Controller of Patents  
 & Registrar of Designs  
 Ph: 99230591