



# **Electronic Publication of Patents Journal under The Patents (Amendments) Act, 2016**

Weekending:- 02-11-2018

Legal Publication Date:- 12-11-2018

Journal Code (181112)



**NEW APPLICATIONS FOR THE PATENTS**

The dates shown in the crescent brackets are the dates claimed under section 86 of the Patents Ordinance 2000.

<b>29-10-2018</b>		
737/2018	Wenzhou Mers Razor Works Co., Ltd., China	“RAZOR HEAD AND ASSEMBLY METHOD THEREOF”
738/2018	Aga Khan University Karachi – Pakistan	“Pumping Heart Simulator”
739/2018	Super-Max Personal Care Pvt. Ltd. India	“SHAVING CARTRIDGE WITH ENHANCED RINSABILITY”
740/2018	HUSSAIN ZAFFAR AL-NAIMI, HASSAN QATAR	“WATER WHEEL ELECTRIC GENERATOR”
<b>30-10-2018</b>		
741/2018	Eli Lilly and Company USA (Priority 16-11-2017 EP)	“COMPOUNDS USEFUL FOR INHIBITING CDK7”
742/2018	MEDIMMUNE,LLC., USA (Priority 31-10-2017 US)	“ORAL DELIVERY OF GLP-1 PEPTIDE ANALOGS”
<b>31-10-2018</b>		
743/2018	Naveena Denim Mills Karachi – Pakistan	“DENIM BASED FABRIC”

<b>01-11-2018</b>		
744/2018	Trinity Bay Equipment Holdings, LLC USA (Priority 01-11-2017 US)	“SYSTEM AND METHOD FOR HANDLING REEL OF PIPE”
745/2018	Trinity Bay Equipment Holdings, LLC USA (Priority 31-10-2017 US)	“SYSTEM AND METHOD FOR HEATING AND RE-ROUNDING”
<b>02-11/2018</b>		
746/2018	Novartis AG Switzerland (Priority 06-11-2017 IN)	“Formulation Comprising Oxazolidin-2-one-Pyrimidine Derivatives
747/2018	AiCuris GmbH & Co. KG Germany (Priority 02-11-2017 EP)	“NOVEL, HIGHLY ACTIVE PYRAZOLO-PIPERIDINE SUBSTITUTED INDOLE-2-CARBOXAMIDES ACTIVE AGAINST THE HEPATITIS B VIRUS (HBV)”
748/2018	AiCuris GmbH & Co. KG Germany (Priority 02-11-2017 EP)	“NOVEL, HIGHLY ACTIVE AMINO-THIAZOLE SUBSTITUTED INDOLE-2-CARBOXAMIDES ACTIVE AGAINST THE HEPATITIS B VIRUS (HBV)”
749/2018	ABBVIE, INC. USA CALICO LIFE SCIENCES, LLC USA (Priority 02-11-2017 US)	“MODULATORS OF THE INTEGRATED STRESS PATHWAY”
750/2018	ABBVIE, INC. USA	“MODULATORS OF THE INTEGRATED STRESS PATHWAY”

	CALICO LIFE SCIENCES, LLC USA (Priority 02-11-2017 US)	
751/2018	ABBVIE, INC. USA CALICO LIFE SCIENCE, LLC USA (Priority 02-11-2017 US)	“MODULATORS OF THE INTEGRATED STRESS PATHWAY”

**APPLICATION ACCEPTED**

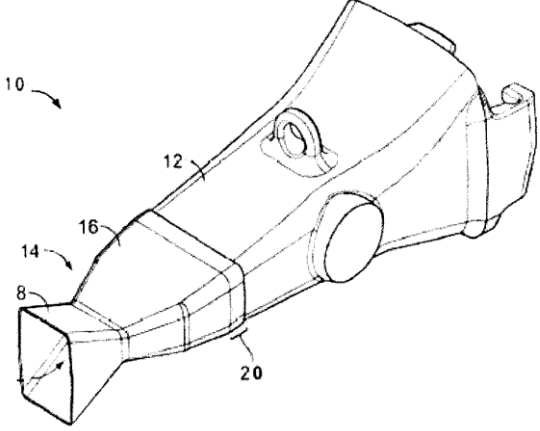
Notice is hereby given that the person interested in opposing the grant of Patents to any of the applications referred to below at any time within four months from the date of this Patents' journal may give notice at the Patent Office on the prescribed Form P-7 of the Patents Rules 18(1) of 2003.

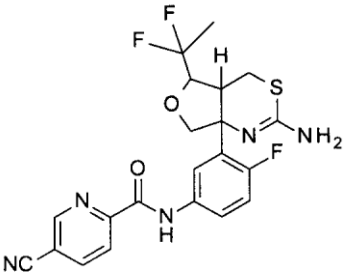
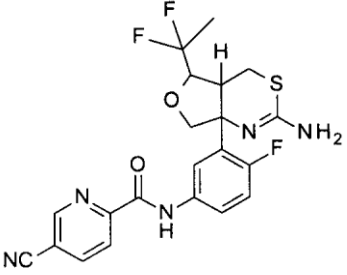
The six figures number shown in the right hand side are those given to applications on acceptance of the complete specification under which the specification will be printed and subsequent proceeding taken.

The figures shown within square brackets after the title of inventions indicate their classification index at acceptance.

Typed copies of the specification which are to open to public inspection can be supplied by the Patent Office on payment of the prescribed charges which may be ascertained on application to the office.

814/2010	INDUSTRIE DE NORA S.P.A Italy	<p>“ELECTRODE FOR ELECTROLYTIC PROCESSES WITH CONTROLLED CRYSTALLINE STRUCTURE”</p> <p>C25B11/04.</p> <p style="text-align: right;"><b>142936</b></p> <p>The invention relates to a cathode for electrolytic processes provided with a catalytic coating based on ruthenium crystallites with highly controlled size falling in a range of 1-10 nm. The coating can be produced by physical vapour deposition of a ruthenium or ruthenium oxide layer.</p>
228/2012	ESCO Corporation U.S.A.	<p>“HARDFACED WEARPART USING BRAZING AND ASSOCIATED METHOD AND ASSEMBLY FOR MANUFACTURING”</p> <p>B05D3/02, B05D5/00 &amp; B32B15/04.</p> <p style="text-align: right;"><b>142937</b></p>

		<p>An article, such as a hardfaced wearpart, includes a substrate, a sheet metal shell connected to the substrate to define a cavity between the surface of the substrate and the shell, and a composite material filling the cavity and forming a coating on at least a portion of the surface of the substrate, the composite material including a hard particulate material infiltrated with a metallic brazing material. The shell may be connected to the substrate by welding or brazing to the substrate, and may wear away during use. The shell and the substrate may be used as part of an assembly for producing the article, where the shell is used as a mold for forming the composite material by filling the shell with the hard particulate material and subsequently infiltrating with the brazing material.</p> 
<p>316/2014</p>	<p>Xeros Limited United Kingdom</p>	<p>“Method for dyeing an animal substrate” C14C3/06. <b>142938</b></p> <p>The invention discloses a method for treating an animal substrate comprising: agitating the moistened animal substrate with an aqueous treatment formulation and a solid particulate material in a sealed apparatus, wherein the aqueous</p>

		<p>treatment formulation comprises at least one colourant. There is also disclosed an animal substrate obtained by the method and finished leather goods obtained by the method.</p>
	<p>ELI LILLY AND COMPANY U.S.A.</p>	<p>“SELECTIVE BACEI INHIBITORS”</p> <p>C07D513/04 &amp; A61K31/542.</p> <p style="text-align: right;"><b>142939</b></p> <p>The present invention provides a compound of Formula I:</p> <div style="text-align: center;">  <p style="margin-left: 200px;">Formula I</p> </div> <p>or a pharmaceutically acceptable salt thereof.</p>
<p>604/2018</p>	<p>ELI LILLY AND COMPANY U.S.A.</p>	<p>“PHARMACEUTICALLY ACCEPTABLE SALT OF SELECTIVE BACE1 INHIBITORS”</p> <p>C07D513/04.</p> <p style="text-align: right;"><b>142940</b></p> <p>The present invention provides a pharmaceutically acceptable salt a compound of Formula I:</p> <div style="text-align: center;">  <p style="margin-left: 200px;">Formula I</p> </div> <p>The invention further provides a pharmaceutical composition comprising a pharmaceutically</p>

		acceptable salt of a compound with one or more pharmaceutically acceptable carriers, diluents, or excipients. The pharmaceutically acceptable salt of a compound is therapeutically effective for treatment of Alzheimer's disease.
--	--	---



**NEW APPLICATIONS FOR THE INDUSTRIAL DESIGNS**

<b>S. No.</b>	<b>Design No.</b>	<b>Title &amp; Class</b>	<b>Applicant</b>
<b>29/10/2018</b>			
1	19602	Indwelling needle (Class-12)	KABUSHIKI KAISHA TOP
2	19603	Indwelling needle (Class-12)	KABUSHIKI KAISHA TOP
3	19604	UNIFORMS (Class-14)	EUROPCAR INTERNATIONAL
4	19605	UNIFORMS (Class-14)	EUROPCAR INTERNATIONAL,
5	19606	UNIFORMS (Class-14)	EUROPCAR INTERNATIONAL,
6	19607	UNIFORMS (Class-14)	EUROPCAR INTERNATIONAL,
<b>30/10/2018</b>			
8	19608	Plastic Bottle (Class-03)	Jamil Ahmed
9	19609	bottle (Class-12)	Unliver Pakistan Limited,
10	19610	bottle (Class-12)	Unliver Pakistan Limited,

**REGISTRATION OF DESIGNS**

The following designs have been registered.

<b>S. No.</b>	<b>Design No.</b>	<b>Title &amp; Class</b>	<b>Applicant</b>
<b><u>29/10/2018</u></b>			
<b>1.</b>	19351	Set of Cloth (Class-13)	SS Fashion
<b>2.</b>	19352	Set of Cloth (Class-13)	SS Fashion
<b>3.</b>	19353	Set of Cloth (Class-13)	SS Fashion
<b>4.</b>	19354	Set of Cloth (Class-13)	SS Fashion
<b>5.</b>	19355	Set of Cloth (Class-13)	SS Fashion
<b>6.</b>	19356	Set of Cloth (Class-13)	SS Fashion
<b>7.</b>	19357	Set of Cloth (Class-13)	SS Fashion
<b>8.</b>	19358	Set of Cloth (Class-13)	SS Fashion
<b>9.</b>	19359	Set of Cloth (Class-13)	SS Fashion
<b>10.</b>	19222	Set of Cloth (Class-13)	SS Fashion

**-sd-**

**(Dr. Muhammad Fayyaz Ahmad)**  
 Controller of Patents  
 & Registrar of Designs  
**Ph: 99230591**