



Electronic Publication of Patents Journal under The Patents (Amendments) Act, 2016

Weekending:- 16-09-2016

Legal Publication Date:- 28-09-2016

Journal Code (160928)

f

NEW APPLICATIONS FOR THE PATENTS

The dates shown in the crescent brackets are the dates claimed under section 86 of the Patents Ordinance 2000.

15-09-2016		
557/2016	GENENTECH, INC USA (Priority 15-09-2015 US)	“CYSTINE KNOT SCAFFOLD PLATFORM”
558/2016	Danish Mahmood Baitab, Yasir Nawab, Mumtaz Hassan Malik, Muhammad Ayub Asghar, Syed Talha Ali Hamdani, Pakistan	“Machine for weaving of high performance fibers coming directly from creel”
559/2016	Novartis AG, Switzerland (Priority 16/09/2015 CN)	“POLYOMAVIRUS NEUTRALIZING ANTIBODIES”
16-09-2016		
560/2016	World Wide Stationery, Mfg. Co., Ltd., Peoples China (Priority 09/09/2015 CN)	“DENTAL CLEANING TOOL INCLUDING PIVOTABLE BRUSH”
561/2016	LG LIFE SCIENCES LTD., Rep. of Korea (Priority 16-09-2015 KR)	“COMBINATION VACCINE COMPOSITION FOR MULTIPLE-DOSAGE”

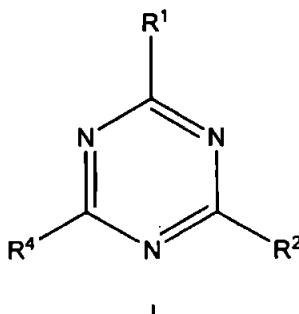
APPLICATION ACCEPTED

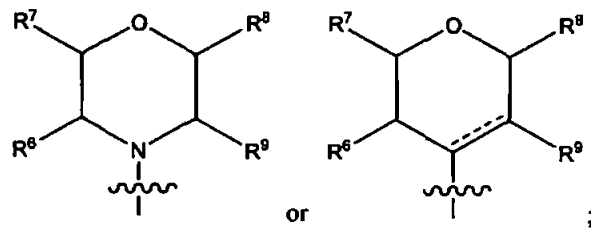
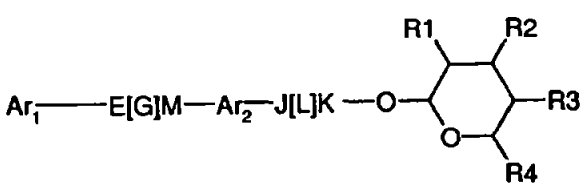
Notice is hereby given that the person interested in opposing the grant of Patents to any of the applications referred to below at any time within four months from the date of this Gazette may give notice at the Patent Office on the prescribed Form P-7 of the Patents Rules 18(1) of 2003.

The six figures number shown in the right hand side are those given to applications on acceptance of the complete specification under which the specification will be printed and subsequent proceeding taken.

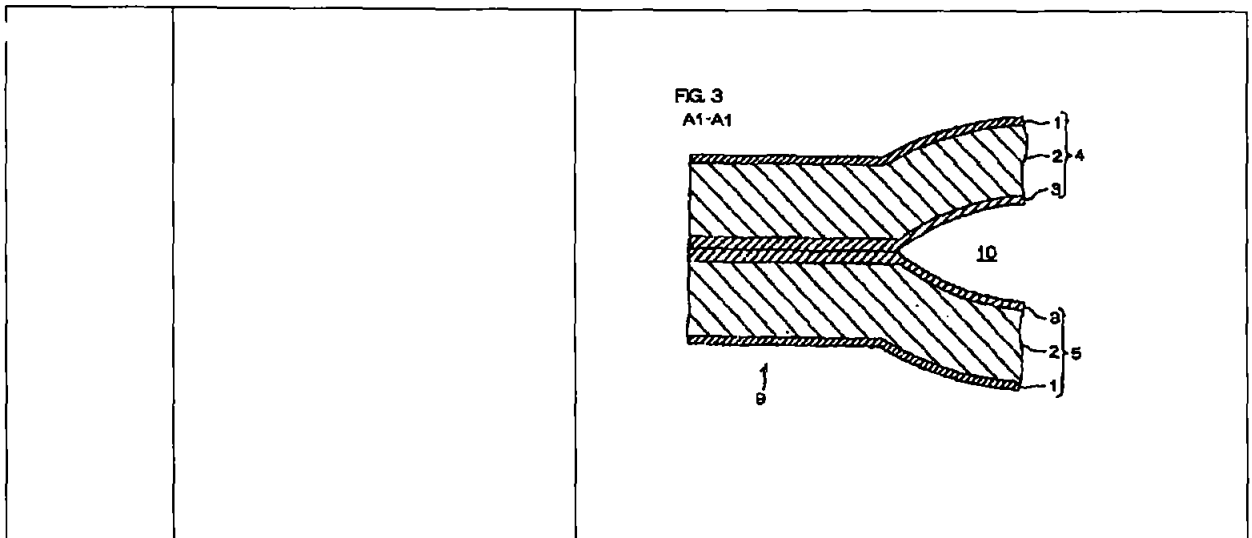
The figures shown within square brackets after the title of inventions indicate their classification index at acceptance.

Typed copies of the specification which are to open to public inspection can be supplied by the Patent Office on payment of the prescribed charges which may be ascertained on application to the office.

463/2009	Wyeth. U.S.A0	<p>"1-(4-{[4-(dimethylamino)piperidin-1-yl] carbonyl} phenyl)-3-[4-(4,6-dimorpholin-4-yl-1,3,5-triazin-2-yl)phenyl] urea"</p> <p>C07D498/08,A01K31/535 and C07D413/14.</p> <p style="text-align: right;">142416</p> <p>This invention relates to a compound of formula I</p> <div style="text-align: center;"><p style="text-align: center;">I</p></div> <p>Wherein</p>
----------	------------------	--

		 <p>and R2, R4, and R6-9 are defined herein, and esters thereof. This compound inhibits P13 kinase and mammalian target of rapamycin and may be used to treat diseases mediated by P13 kinase and mammalian target of rapamycin, such as a variety of cancers. Method for making and using the compound of this invention are disclosed. A composition containing the compound of this invention is also disclosed.</p>
<p>107/2010</p>	<p>DOW AGROSCIENCES LLC. U.S.A</p>	<p>"Compound of 4-[(E)-2-(4-trifluoromethoxyphenyl)-vinyl]-Benzaldehyde O-((2S,3R,4R,5S,6S)-3,5-dimethoxy-6-methyl-4-propoxy-tetrahydropyran-2-yl)-oxime"</p> <p>A01N43/16 and CO7H15/02.</p> <p style="text-align: right;">142417</p> <p>The invention disclosed in this document is related to the field of pesticides. A compound having the following structure is disclosed.</p> 

		<p>Wherein</p> <p>Ar₁, Ar₂, E,G,M, J,L,K, R1, R2, R3, R4 and O as defined in claims, and their use in controlling pests.</p>
<p>146/2010</p>	<p>1) MITSUI CHEMICALS, INC., JAPAN. 2) OTSUKA PHARMACEUTICAL FACTORY, INC. JAPAN</p>	<p>" MULTILAYER FILM AND BAG FORMED OF THE FILM"</p> <p>B32B43/00 and B65D65/40.</p> <p style="text-align: right;">142418</p> <p>A multilayer film according to the present invention is a multilayer film, in which an outermost layer and an innermost layer are laminated via an intermediate layer arranged from one to three layers, with the intermediate layer including at least one layer being made of 0 to 55 weight % of a linear polyethylene having a density of 0.910 to 0.930 g/cm³, 5 to 15 weight % of a high-density polyethylene having a density of 0.950 to 0.970 g/cm³, and 35 to 85 weight % of a linear polyethylene having a density of 0.900 to 0.910 g/cm³ and polymerized using a single-site catalyst, and having a density lower than the outermost layer and the innermost layer, and each of the outermost layer and the innermost layer being formed of a polyethylene or a mixture of two or more types of polyethylene.</p>



753/2010

Wyeth.
U.S.A

"A Pharmaceutically acceptable salt of the compound 1-(4-{[4-(dimethylamino)piperidin-1-yl]carbonyl}phenyl)-3-[4-(4,6-dimorpholin-4-yl-1,3,5-triazin-2-yl)phenyl]urea"

A61K31/535, C07D413/14 and C07D498/08.

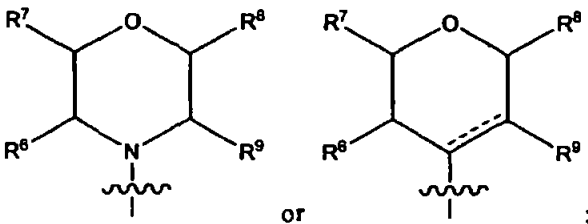
142419

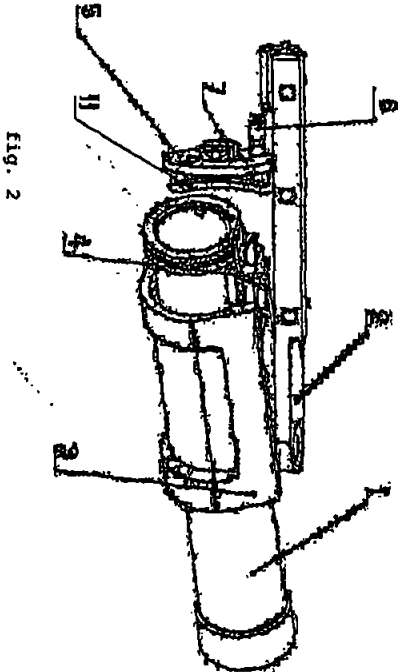
This invention relates to a pharmaceutically acceptable salt of the compound of formula I

I

wherein:

R¹ is

		 <p>and R², R⁴, and R⁶⁻⁹ are defined herein, and esters thereof. This compound inhibits P13 kinase and mammalian target of rapamycin and may be used to treat diseases mediated by P13 kinase and mammalian target of rapamycin, such as a variety of cancers. Method for making and using the compound of this invention are disclosed. A composition containing the compound of this invention is also disclosed.</p>
869/2010	Ceska zbrojovka a.s., Czech Republic	<p>"A firearm with a tilting barrel with the possibility of setting a change of the tilting direction of the barrel"</p> <p>F41A3/58,F41A9/45 and F41A35/06.</p> <p style="text-align: right;">142420</p> <p>A firearm with a tilting barrel (1) with the possibility of setting a change of the tilting direction of the barrel (1) containing a breech block (5) for securing the barrel, the breech block containing on a part of its perimeter a locking surface (11) for securing the firearm against its tilting in the direction opposite the locking surface (11). The locking surface (11) can be rotated around the longitudinal axis of the breech block (5) for setting of the change of the tilting direction of the barrel (1).</p>

		 <p>Fig. 2</p>
955/2010	Laboratoires Leti S.L.unipersonal. Spain	<p>"A COMPOSTION COMPRISING AN L3 AND/OR L5 RIBOSOMAL PROTEIN SOURCE AS A VACCINE OR FOR DIAGNOSIS OF PARASITIC DISEASE"</p> <p>C07K14/44,A61K39/008 and G01N33/569.</p> <p>142421</p> <p>The invention relates to a composition comprising an L3 and/or an L5 source and optionally an adjuvant for the preparation of a medicine for the treatment or prevention of a parasitic disease.</p>

SEALING FEES DUE-

Notice is hereby given that the Patent may now be sealed on the application referred to below if it is desired that Patent should be sealed a request on the prescribed Form-10 accompanied by the fee of **Rs.4500/-** should be sent to the Controller of Patents and Designs, The Patent Office, Karachi.

Accepted No.	Applicant Name	Application No.
142264	B.T. Innovation GmbH Germany.	1513/2008
142265	Novartis AG Switzerland.	644/2012
142266	Global Blood Therapeutics, Inc. USA.	202/2014
142267	H. Lundbeck A/S Denmark.	535/2009
142268	Abbott GmbH & Co. KG Germany Abbott Laboratories USA	379/2010
142269	Takeda Nycomed A/S Norway	325/2012
142270	Abbott GmbH & Co. KG Germany Abbott Laboratories USA	673/2013
142271	Eli Lilly and Company USA.	287/2014

NEW APPLICATIONS FOR THE INDUSTRIAL DESIGNS

S. No.	Design No.	Title & Class	Applicant
<u>08/09/2016</u>			
1.	18407	Jeans (Class-13)	Realkom Tekstil Urunleri Sanayi Pazarlama VE Dis Ticaret Anonim Sirketi
2.	18408	Cab-F350 (Class-01)	Yunnan Lifan Junma Vehicles Co. Ltd.
<u>09/09/2016</u>			
3.	18409	Merck-Plastic-Cells-Layer-RGB (Class-12)	Merck KGaA
4.	18410	Merck-Cells-Basic-Style-Plastic-RGB (Class-12)	Merck KGaA
5.	18411	Merck-Cells-Basic-Style-Organic-RGB (Class-12)	Merck KGaA
6.	18412	Merck-Cells-Basic-Style-Synthetic-RGB (Class-12)	Merck KGaA
7.	18413	Front Cowl (Class-03)	Sazgar Engineering Works Limited
8.	18414	Textile Articles Especially Bed Sheets and Matrices (Class-13)	Asia Foam (Pvt. Limited,
9.	18415	Textile Articles Especially Bed Sheets and Matrices (Class-13)	Asia Foam (Pvt. Limited,
10.	18416	Textile Articles Especially Bed Sheets and Matrices (Class-13)	Asia Foam (Pvt. Limited,
11.	18417	Textile Articles Especially Bed Sheets and Matrices (Class-13)	Asia Foam (Pvt. Limited,
12.	18418	Textile Articles especially Bed Sheets and Matrices (Class-13)	Asia Foam (Pvt. Limited,
13.	18419	Textile Articles Especially Bed Sheets and Matrices (Class-13)	Asia Foam (Pvt. Limited,
14.	18420	Textile Articles Especially Bed Sheets and Matrices (Class-13)	Asia Foam (Pvt. Limited,

15.	18421	Textile Articles Especially bed Sheets and Matrices (Class-13)	Asia Foam (Pvt. Limited,
16.	18422	Textile Articles Especially Bed Sheets and Matrices (Class-13)	Asia Foam (Pvt. Limited,
17.	18423	Textile Articles especially Bed Sheets and Matrices (Class-13)	Asia Foam (Pvt. Limited,
18.	18424	Textile Articles Especially Bed Sheets and Matrices (Class-13)	Asia Foam (Pvt. Limited,
19.	18425	Textile Articles Especially Bed Sheets and Matrices (Class-13)	Asia Foam (Pvt. Limited,
20.	18426	Textile Articles Especially Bed Sheets and Matrices (Class-13)	Asia Foam (Pvt. Limited,
21.	18427	Plastic Bottle (Class-03)	Tariq Javed
<u>15/09 /2016</u>			
22.	18428	Motorcycle (Class-01)	Honda Motor Co. Ltd. (A Corporation of Japan)
23.	18429	Side Cover For A Motorcycle (Class-Nil)	Honda Motor Co. Ltd. (A Corporation of Japan)
<u>16/09 /2016</u>			
24.	18430	Container For Lubricants (Class-03)	Shell Brands International AG,

REGISTRATION OF DESIGNS

The following designs have been registered.

S. No.	Design No.	Title & Class	Applicant
<u>06/09/2016</u>			
1.	18064	Tray (Class-03)	Dove Melamine Ware
2.	18065	Plate (Class-03)	Dove Melamine Ware
3.	18001	Piano Fine Liner (Class-12)	Syyed Engineers Limited
4.	17559	Casing for a portable light (Class-03)	D. Light Design, Inc.
5.	17949	Fan (Class-01)	Axis Industries



(Dr. Muhammad Fayyaz Ahmad)
 Controller of Patents
 & Registrar of Designs
 Ph: 99215488